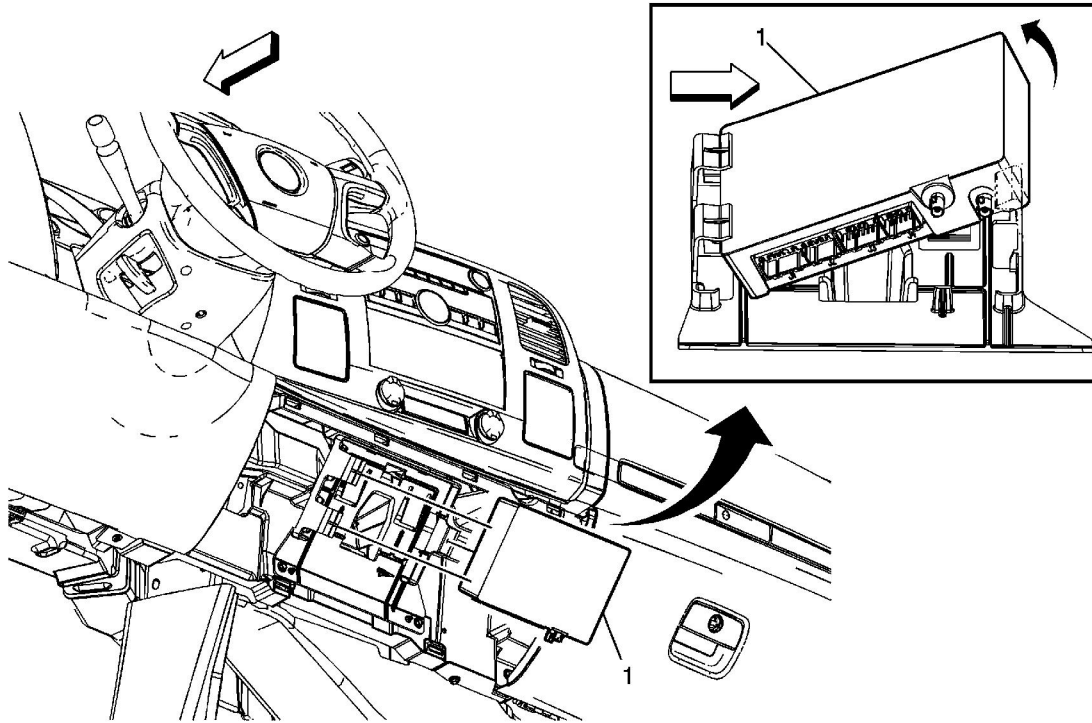


# Communication Interface Module Replacement (without RPO SLT)



Callout	Component Name
<p><b>Preliminary Procedure</b></p> <p>Remove the instrument panel lower center panel. Refer to <a href="#">Instrument Panel Lower Center Trim Replacement</a>.</p>	
<p>1</p>	<p>Communication Interface Module</p> <p><b>Tip</b></p> <ul style="list-style-type: none"> <li>• Push outward on the tab to release the communication interface module from the bracket.</li> <li>• Disconnect the electrical connectors.</li> <li>• Reprogram the communication interface module after replacement. Refer to <a href="#">Control Module References</a>.</li> <li>• If replacing the communication interface module be sure to transfer Bluetooth Antenna, if equipped.</li> </ul>

